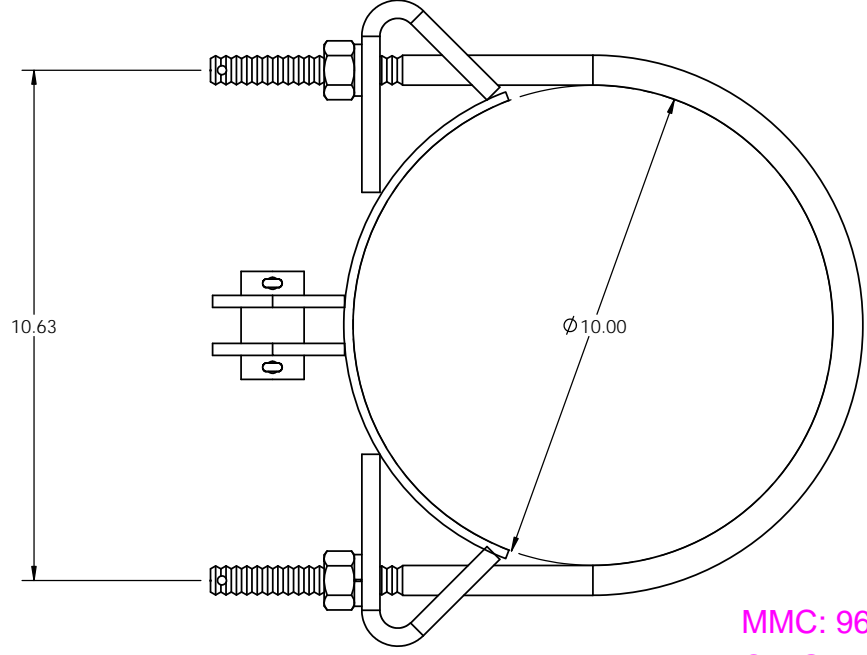
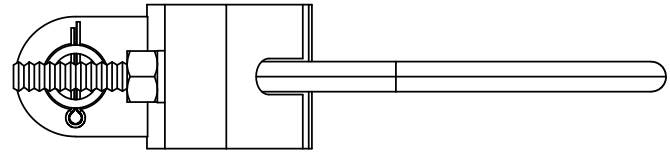
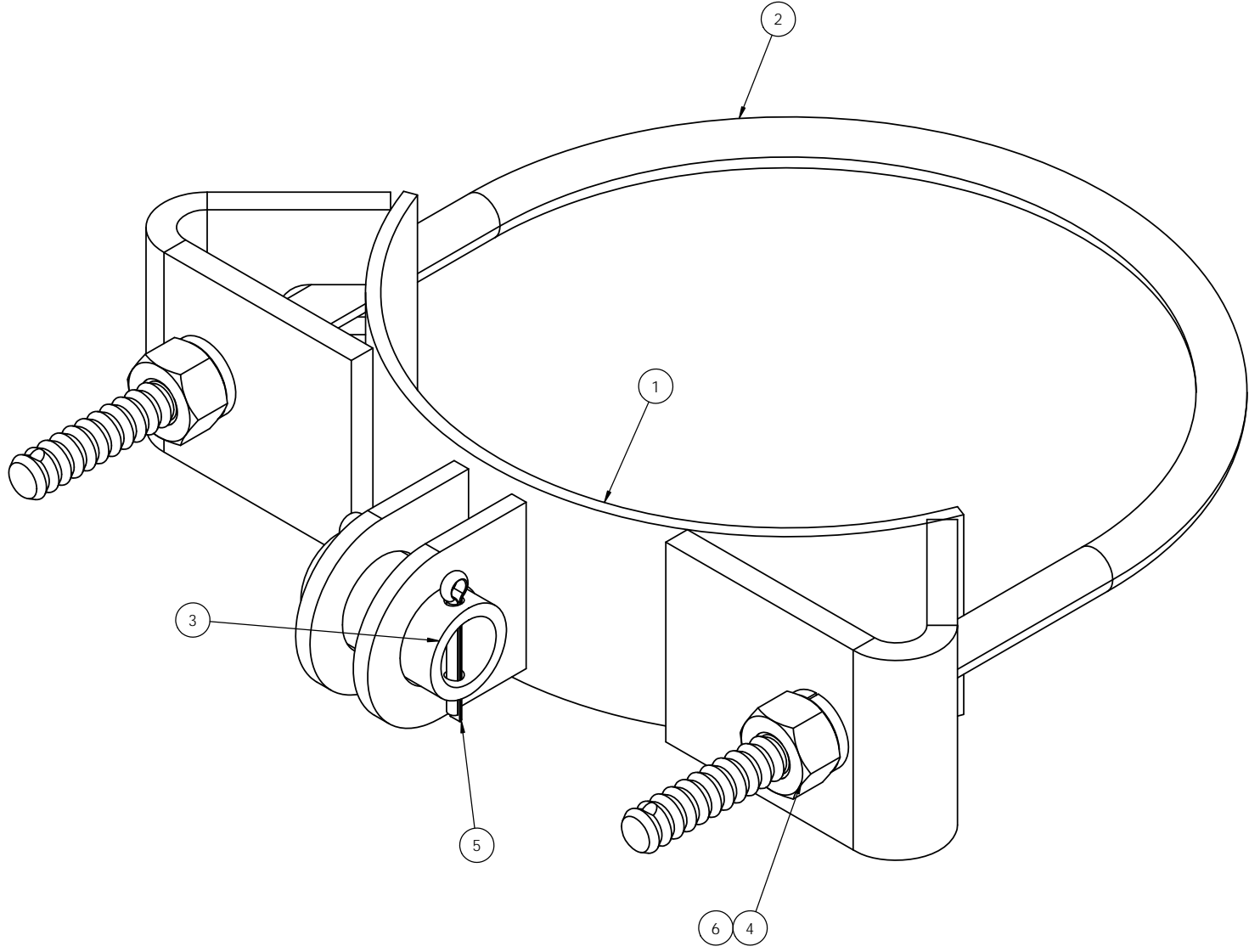


REVISIONS			
REV.	DESCRIPTION	DATE	DRFT
A	was 500b1166-50	11/3/2017	pjf

APPROVED



MMC: 96472
OH GREATER DAYTON RTA SPAN WIRE
CLAMPS

QTY-40

HOT DIP GALV ASTM A123

USE MATERIAL MISC ON SO LINE
FOR BOTH OF THESE

ITEM NO.	PART NUMBER	DESCRIPTION	QTY.
1	1023768	WLDMT STRAIN POLE FRT CLAMP 10" DIA	1
2	1023767	5/8 U-BOLT 10" DIA	1
3	1022950	PIPE PIN 1"(1.315OD)X2 1/4 SCH80 FOR 500B1166 CLAMP ASSY	1
4	NUTHVYHX5-8-11A563GV	NUT HVY HX 5-8-11NC A563 GV(DH)	2
5	PINCOTTER3/16X2SS	COTTER PIN 3/16D X 2"LG SS	2
6	WASHLOCK5/8GV	WASHER LOCK 5/8 ASTM F436 GV	2

THIS DOCUMENT CONTAINS CONFIDENTIAL INFORMATION AND IS THE PROPERTY OF MILLERBERND MFG AND MAY NOT BE COPIED, REPRODUCED OR DISCLOSED IN ANY MANNER WITHOUT THE EXPRESS WRITTEN CONSENT FROM MILLERBERND MFG



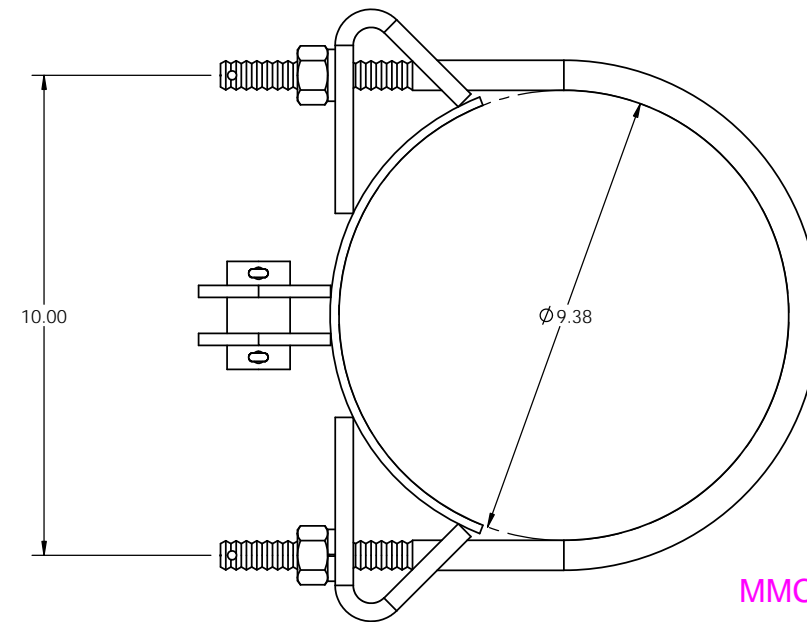
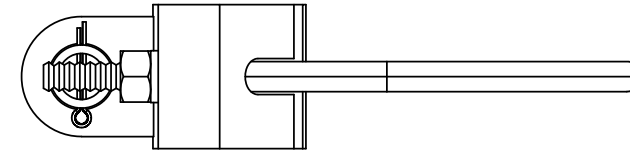
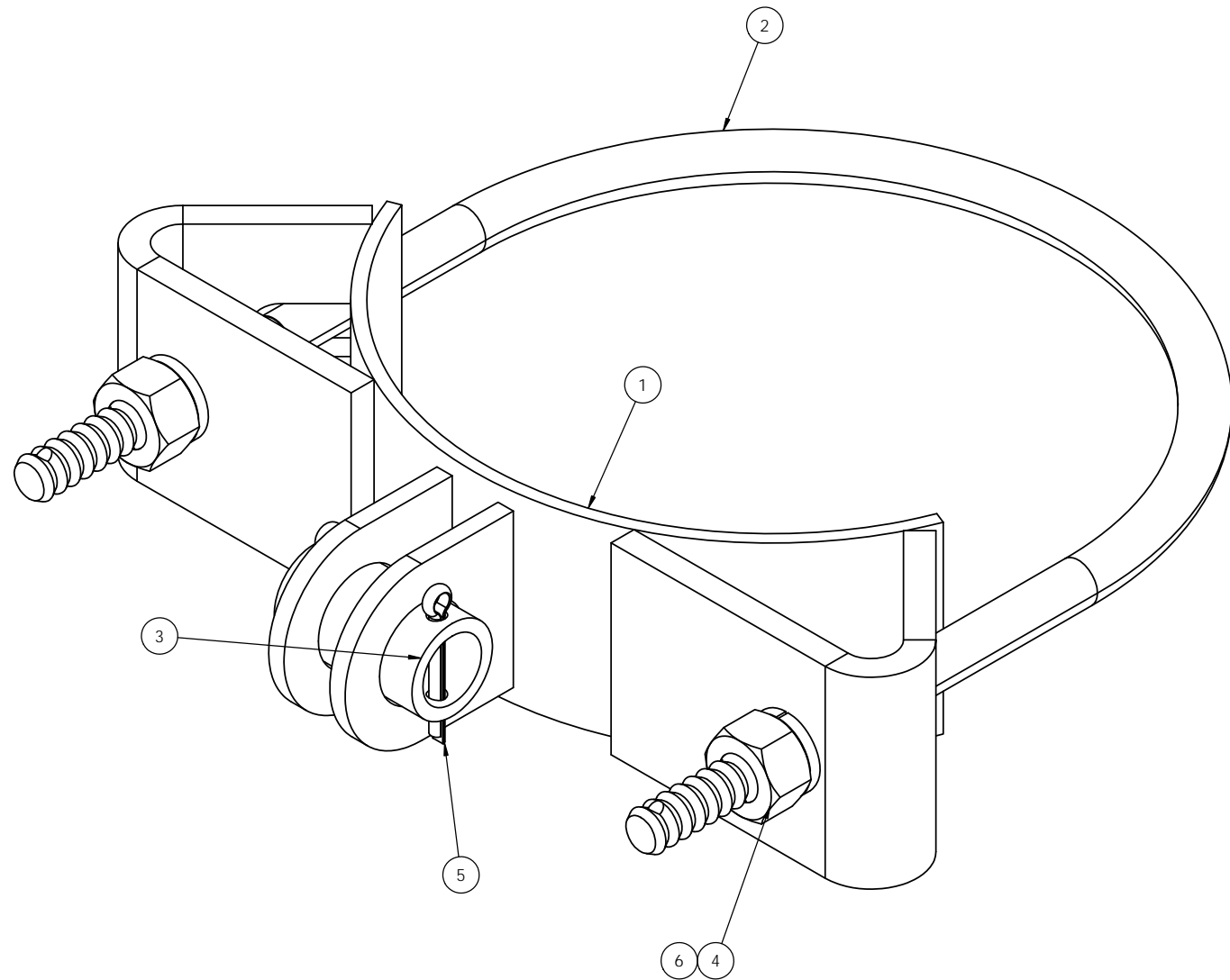
DWN: PAM F.	DATE: 11/3/2017
CHK BY:	DATE:
MATERIAL: SEE BOM	

DESCRIPTION:
ASSY STRAIN POLE FRT CLAMP 10" DIA

WEIGHT: 10.12 LBS.	SURFACE AREA: 300.11 SQ IN	SCALE: 1:8	DRWG NO.: 1023769	SHEET 1 OF 1	B
--------------------	----------------------------	------------	-------------------	--------------	----------

REVISIONS			
REV.	DESCRIPTION	DATE	DRFT
A	was 500b1166-44	02/22/18	AJS

APPROVED



QTY-50

HOT DIP GALV ASTM A123

MMC: 96472
OH GREATER DAYTON RTA SPAN WIRE
CLAMPS

ITEM NO.	PART NUMBER	DESCRIPTION	QTY.
1	1027332	WLDMT STRAIN POLE FRT CLAMP 9 3/8 DIA	1
2	1027067	5/8 U-BOLT 9 3/8" DIA	1
3	1022950	PIPE PIN 1"(1.315OD)X2 1/4 SCH80 FOR 500B1166 CLAMP ASSY	1
4	NUTHVYHX5-8-11A563GV	NUT HVY HX 5-8-11NC A563 GV(DH)	2
5	PINCOTTER3/16X2SS	COTTER PIN 3/16D X 2"LG SS	2
6	WASHLOCK5/8GV	WASHER LOCK 5/8 ASTM F436 GV	2

THIS DOCUMENT CONTAINS CONFIDENTIAL INFORMATION AND IS THE PROPERTY OF MILLERBERND MFG AND MAY NOT BE COPIED, REPRODUCED OR DISCLOSED IN ANY MANNER WITHOUT THE EXPRESS WRITTEN CONSENT FROM MILLERBERND MFG



DWN: ANDY S DATE: 2/22/2018

CHK BY: DATE:

MATERIAL:
SEE BOM

WEIGHT: 9.86 LBS. SURFACE AREA: 291.91 SQ IN SCALE: 1:8

DESCRIPTION:
ASSY STRAIN POLE FRT CLAMP 9 3/8 DIA

DRWG NO.: 1027350 SHEET 1 OF 1 **B**