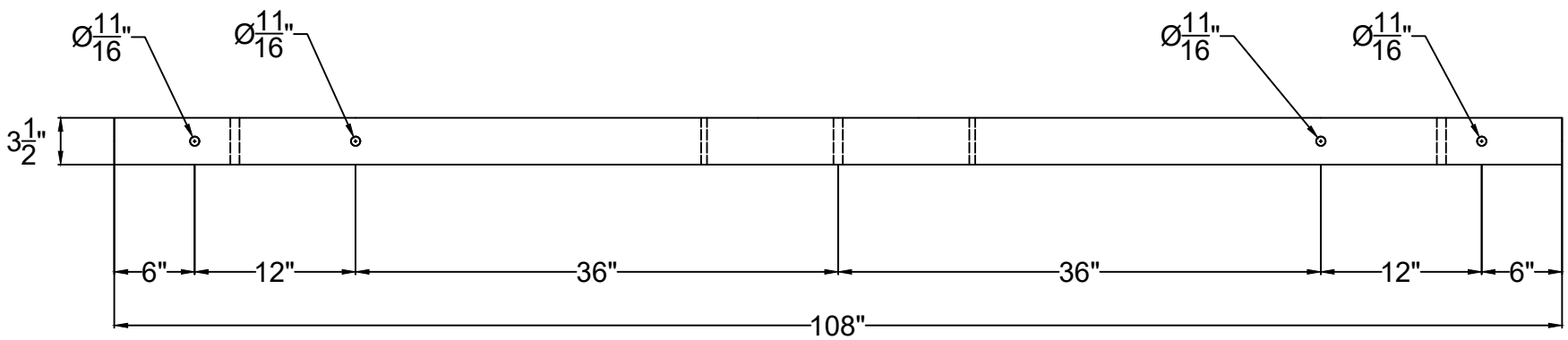
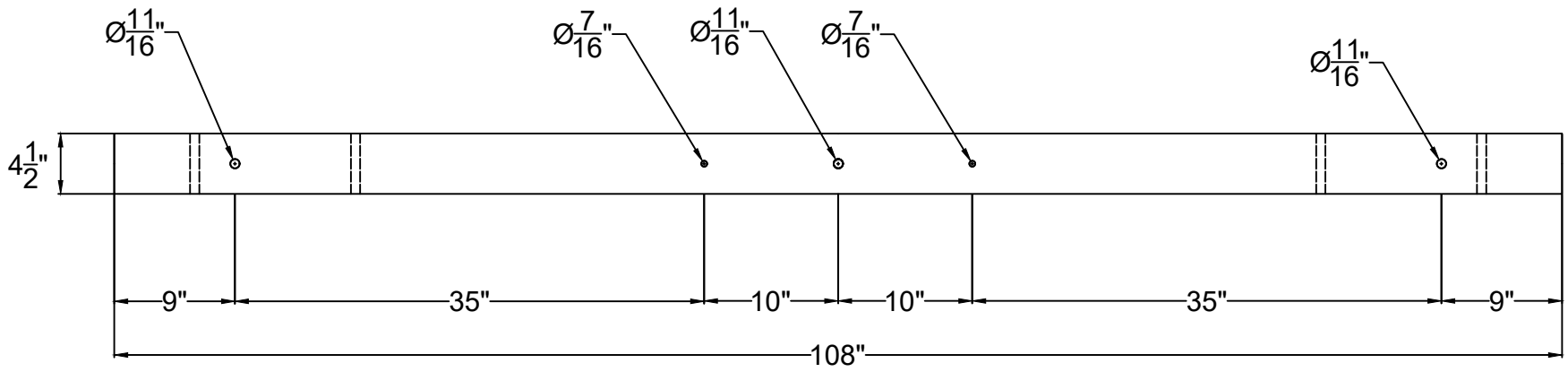


9 FT CROSSARM
RTA PART NO: OL-4

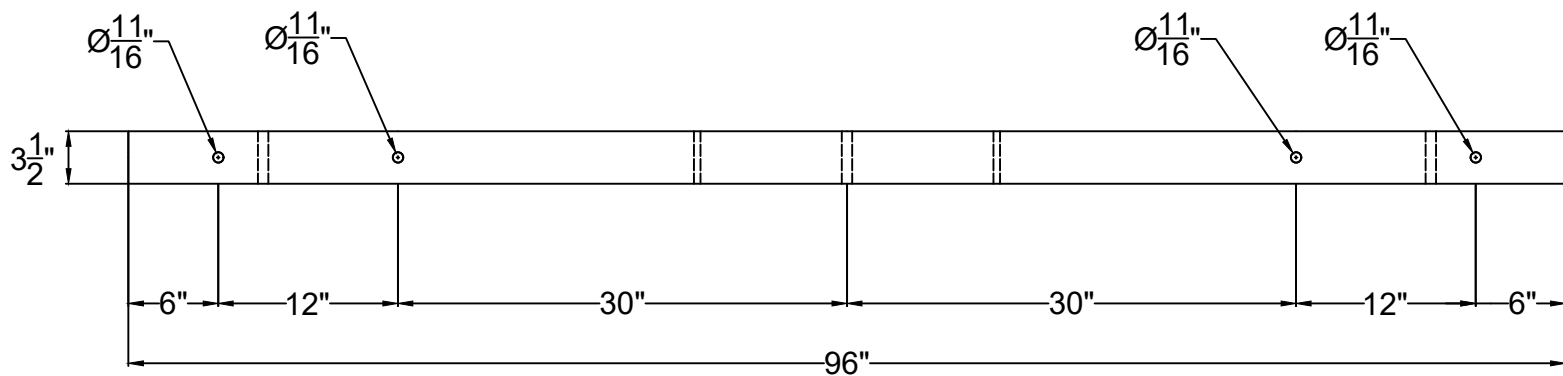
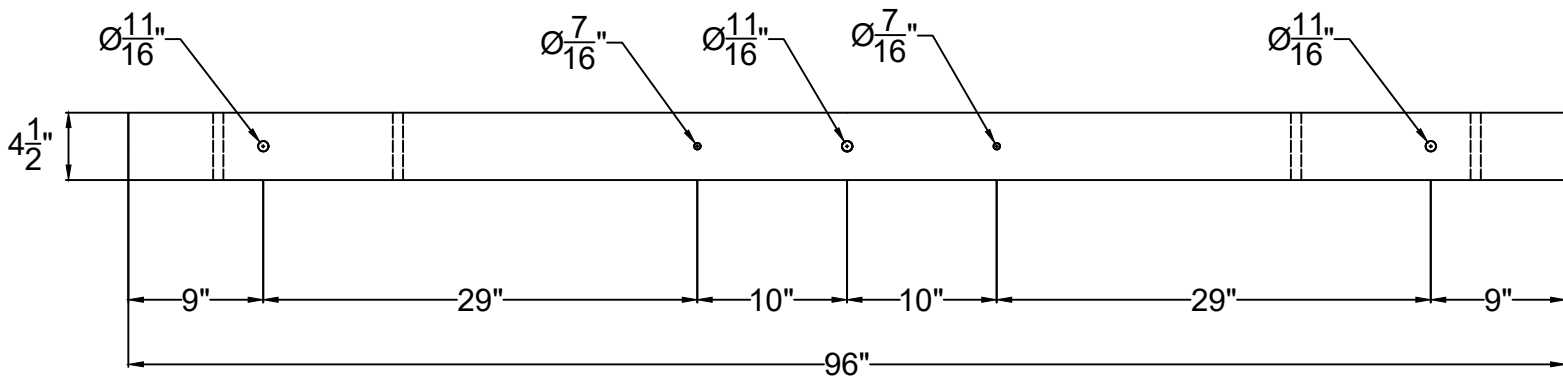
TOP VIEW



SIDE VIEW

8 FT CROSSARM
RTA PART NO: OL-3

TOP VIEW



SIDE VIEW

WOOD CROSSARM

NOTES: UNLESS OTHERWISE SPECIFIED

1. DIMENSIONS ARE NOMINAL
2. DIAMETER DIMENSIONS DENOTE THROUGH HOLES
3. MATERIAL: TREATED LUMBER

DRAWN BY ARS
DATE 09/22/20
SCALE NTS

Rev	By	Date



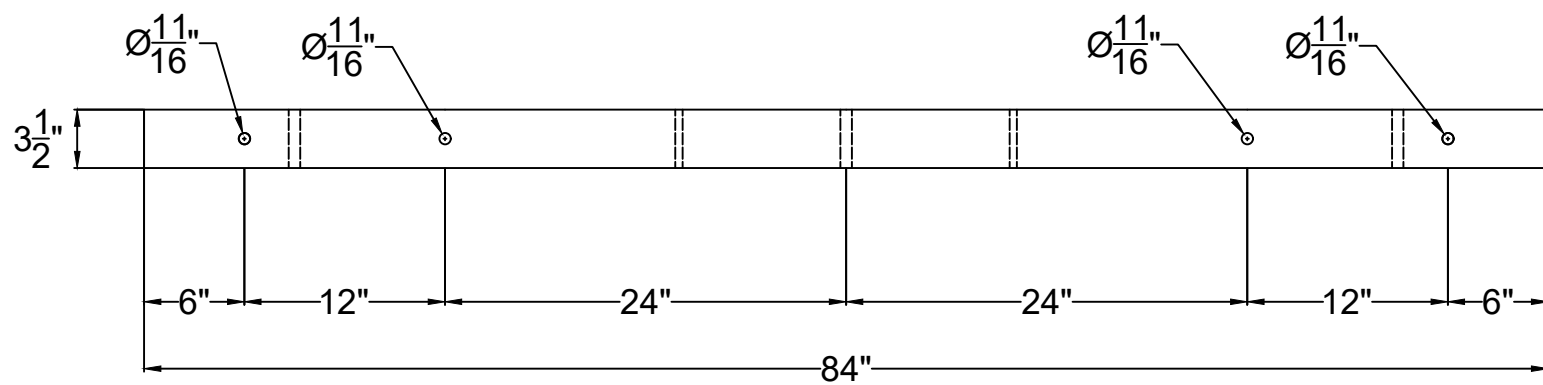
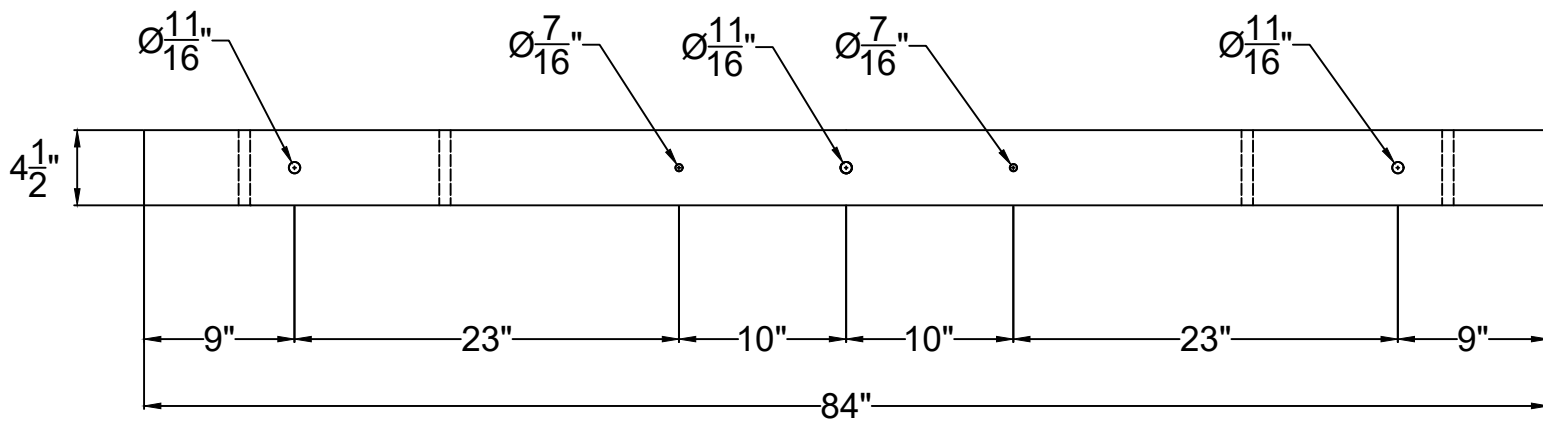
Greater Dayton Regional Transit Authority
4 S. Main St. Dayton, Ohio 45402

SHEET #
A-1

DWG TITLE
CROSSARMS_OL-4_OL-3

7 FT CROSSARM
RTA PART NO: OL-2

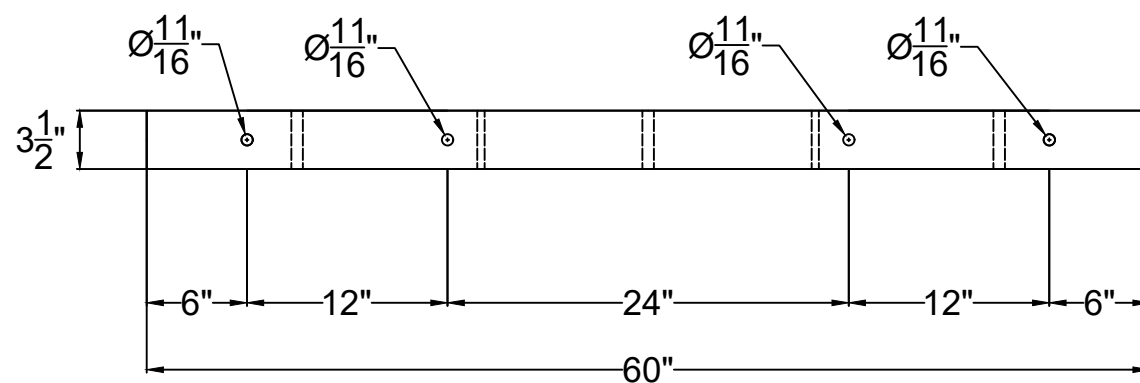
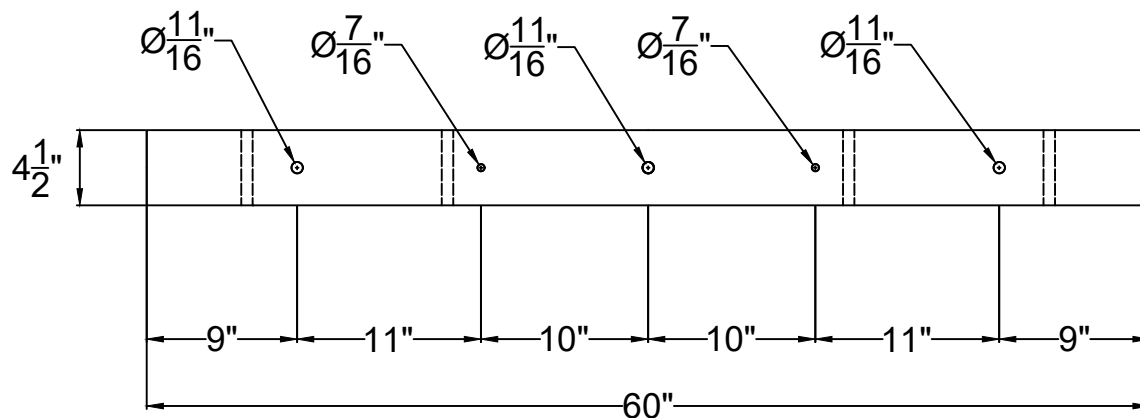
TOP VIEW



SIDE VIEW

5 FT CROSSARM
RTA PART NO: OL-1

TOP VIEW



SIDE VIEW

WOOD CROSSARM

NOTES: UNLESS OTHERWISE SPECIFIED

1. DIMENSIONS ARE NOMINAL
2. DIAMETER DIMENSIONS DENOTE THROUGH HOLES
3. MATERIAL: TREATED LUMBER

DRAWN BY ARS
DATE 09/22/20
SCALE NTS

Rev	By	Date



Greater Dayton Regional Transit Authority
4 S. Main St. Dayton, Ohio 45402

SHEET #
A-2

DWG TITLE
CROSSARMS_OL-2_OL-1