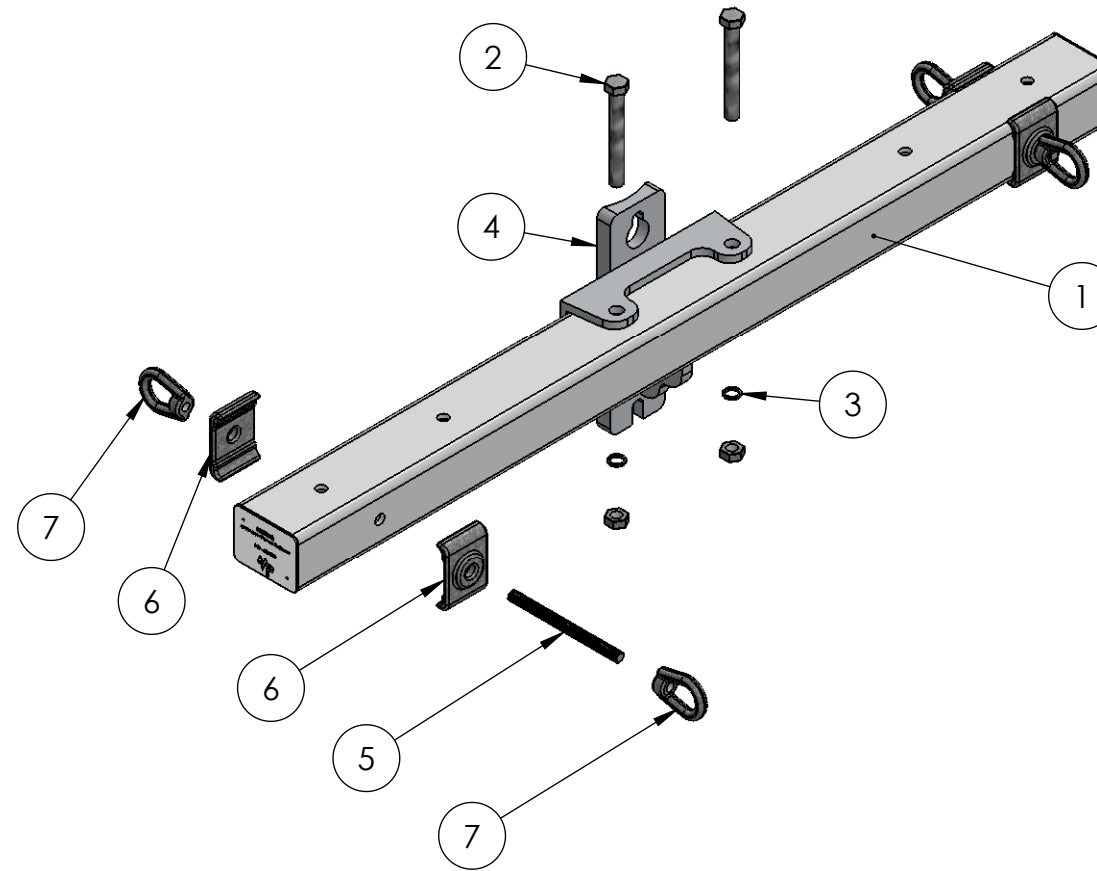



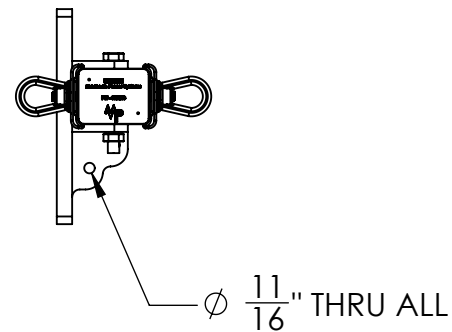
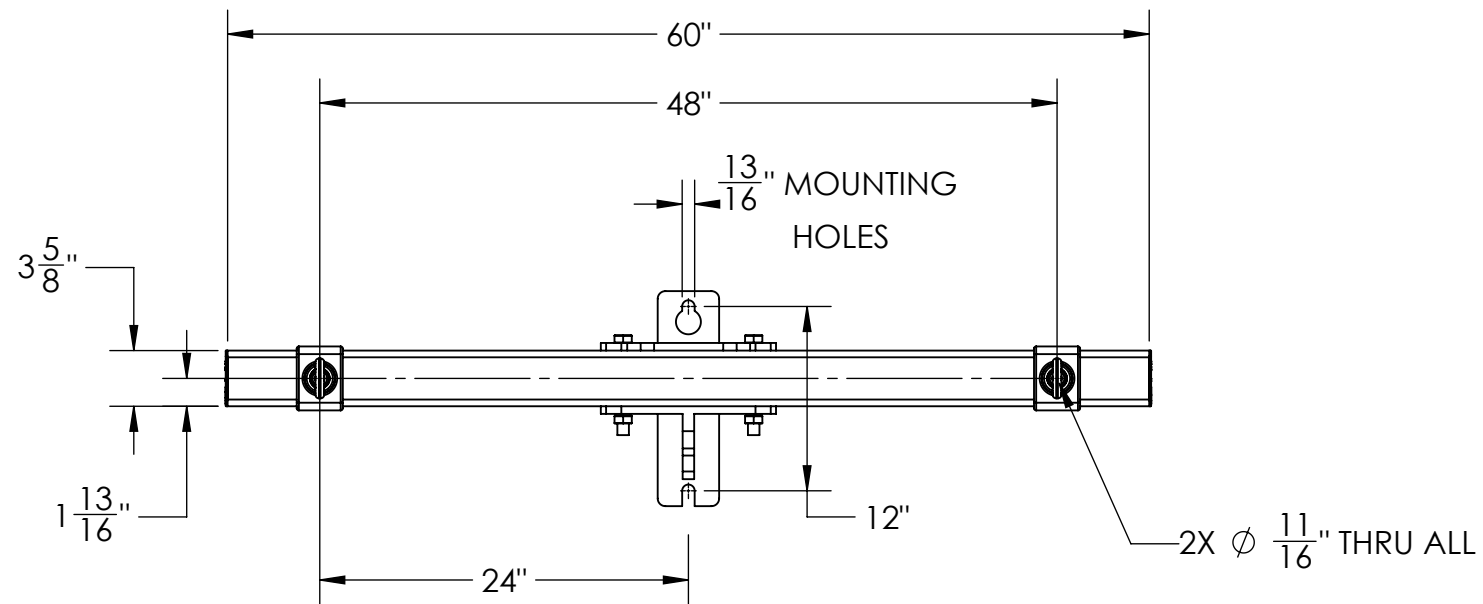
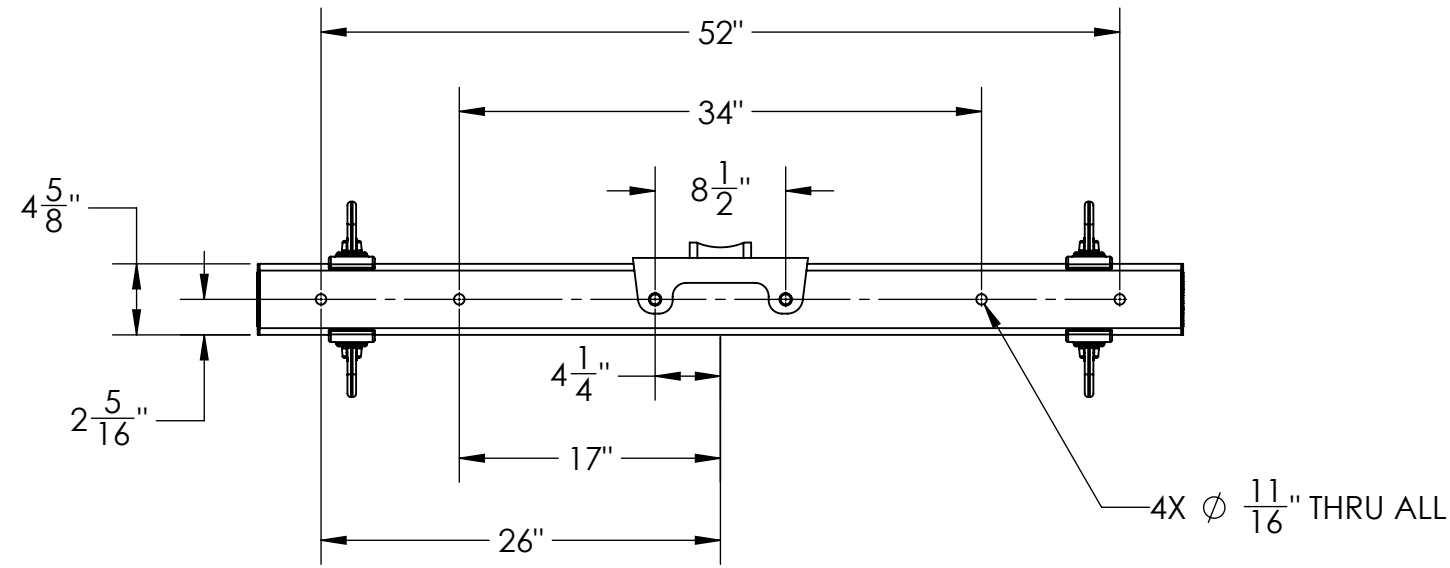
ITEM NO.	PART NUMBER	DESCRIPTION	QTY.
1	P80005W	PW FOAMED TUBE	1
2	F614574	3/4" x 6" BOLT / NUT ASSEMBLY	2
3	F338983	3/4" LOCKWASHER	2
4	P60103	SMALL PROFILE DEADEND BASE - ALUMINUM	1
5	P67578	5/8 - 11 x 8" STUD	2
6	P66000	SMALL PROFILE DEADEND PENTECH WASHER	4
7	F392614	5/8" OVAL EYE NUT	4

PAPER SIZE		DRAWING NUMBER	
B		3004-049	
REVISIONS			
REV.	ECO BY	ECO DATE	ECO NUMBER
A	MHK	11/04/14	01329



THIS DRAWING CONTAINS CONFIDENTIAL INFORMATION THAT IS THE PROPERTY OF MACLEAN POWER, L.L.C. ("MACLEAN"). USE OF MACLEAN'S CONFIDENTIAL INFORMATION WITHOUT MACLEAN'S EXPRESS WRITTEN CONSENT IS STRICTLY PROHIBITED AND MAY EXPOSE YOU TO LEGAL LIABILITY. IF YOU BELIEVE THAT YOU RECEIVED THIS MATERIAL IN ERROR, PLEASE DESTROY IT OR RETURN IT TO "MACLEAN POWER, L.L.C., 7801 PARK PLACE RD., YORK, SOUTH CAROLINA 29745, USA."

CATALOG NUMBER: PW05LD573-2E	CUSTOMER NUMBER:	PART NUMBER:	DRAWING NUMBER: 3004-049	DO NOT SCALE DRAWING
PHYSICAL PROPERTIES UNLESS OTHERWISE SPECIFIED DIMENSIONS ARE IN: INCHES			SHEET: 1 OF 2	CAD GENERATED DRAWING DO NOT MANUALLY UPDATE
			DRAWING DESCRIPTION: PW DEADEND CROSSARM, 5 FT LG	DESIGN DATE: 11/04/14
MATERIAL: FIBERGLASS	 7801 PARK PLACE RD. YORK, SC. 29745 TEL. (803) 628-2100 FAX: (803) 628-2139		PRODUCT LINE: CROSSARMS	DRAWN BY: MHK
APPROX. WEIGHT : 42 LBS			APPROVED: 11/04/14	
VOLUME: IN3			SCALE: 1:10	



CATALOG NUMBER: PW05LD573-2E		CUSTOMER NUMBER:		PART NUMBER:		DRAWING NUMBER: 3004-049		DO NOT SCALE DRAWING	
PHYSICAL PROPERTIES				UNLESS OTHERWISE SPECIFIED DIMENSIONS ARE IN: INCHES		SHEET: 2 OF 2		CAD GENERATED DRAWING DO NOT MANUALLY UPDATE	
						DRAWING DESCRIPTION: PW DEADEND CROSSARM, 5 FT LG		DESIGN DATE: 11/04/14	
MATERIAL: FIBERGLASS		APPROX. WEIGHT : 42 LBS		VOLUME: IN3		PRODUCT LINE: CROSSARMS		DRAWN BY: MHK	
								ENGINEER: mkadel	
								APPROVED: 11/04/14	
								SCALE: 1:12.5	

THIS DRAWING CONTAINS CONFIDENTIAL INFORMATION THAT IS THE PROPERTY OF MACLEAN POWER, L.L.C. ("MACLEAN"). USE OF MACLEAN'S CONFIDENTIAL INFORMATION WITHOUT MACLEAN'S EXPRESS WRITTEN CONSENT IS STRICTLY PROHIBITED AND MAY EXPOSE YOU TO LEGAL LIABILITY. IF YOU BELIEVE THAT YOU RECEIVED THIS MATERIAL IN ERROR, PLEASE DESTROY IT OR RETURN IT TO "MACLEAN POWER, L.L.C., 7801 PARK PLACE RD., YORK, SOUTH CAROLINA 29745, USA."